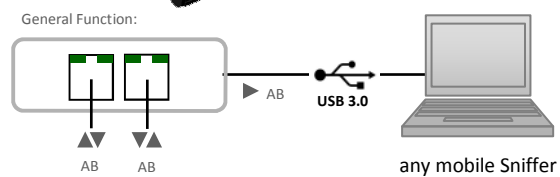


Designed to go in the toolbox of engineers ProfitAP™ offers the most complete and cost efficient connection for monitoring your network.

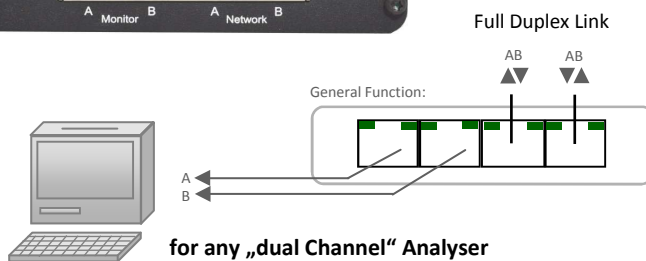
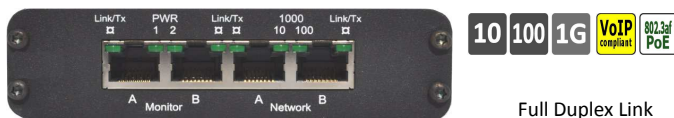
C1AP-1G

most portable GigaBit Aggregator TAP: **10 100 1G** **VoIP compliant** **802.3af PoE** **USB powered**

- Full-Duplex Aggregation into USB 3.0
- Non intrusive In-Line Monitoring
- Shows MAC Faults to Sniffers
- Fully 802.3af & VoIP compliant
- Ultra compact, USB powered, no adaptor required
- **GUI based Statistics**
- **Dump to Disk Mode for GigaBit Line Rate Capture**
- **8nS Time Stamp Feature**



C1P-1G - the «classic» for Dual Channel Monitoring



- Non intrusive In-Line Monitoring
- Permanent Network Link guaranteed
- Bypass data on power failure
- Monitoring for all Protocol Levels
- Fully 802.3af and VoIP compliant
- Galvanic separation for maximum protection
- Redundant power (optional)
- In- & Out- & Monitor Ports at frontside

XX-32Gportable - the most portable NetTool Optimizer **10 100 1G 10G** **802.3af PoE** **VoIP compliant**



Consolidation, Aggregation, Filtering & Routing
1GbE & 10GbE Traffic for Network Monitoring:

- four (4) fixed SFP based 1GbE ports
- two (2) fixed SFP+ based 10GbE ports
- eight (8) 1GbE ports by swappable module
- Copper or SFPbased for In- or Output
- and/or failsafe 4x RJ45 In-Line TAP module
- Incl. GUI based Management

Any kind of 10GbE or 1GbE Analysis appliance
is fed with the most optimized datastreams



Portability

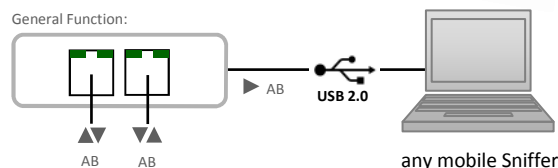
1,5 kgs For use with portable Analysis Equipment, the **XX-32Gportable** saves weight and quantity of items to be carried around.

Designed to go in the toolbox of engineers ProfitAP™ offers the most complete and cost efficient connection for monitoring your network.

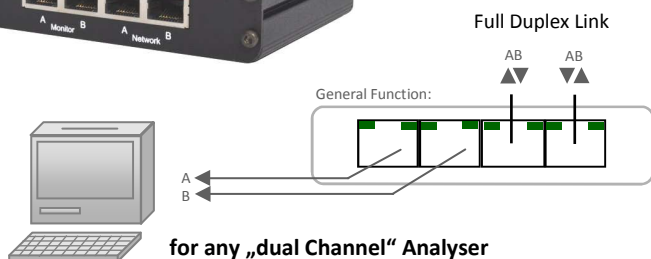
C1AP-100-TF

most portable Aggregator TAP:

- Full-Duplex Aggregation into USB 2.0
- Non intrusive In-Line Monitoring
- Shows MAC Faults to Sniffers
- Fully 802.3af & VoIP compliant
- Ultra compact, USB powered, no adaptor required
- GUI based SetUp and Configuration Utility
- 5nS Time Stamp
- MAC/IP Filter Tool

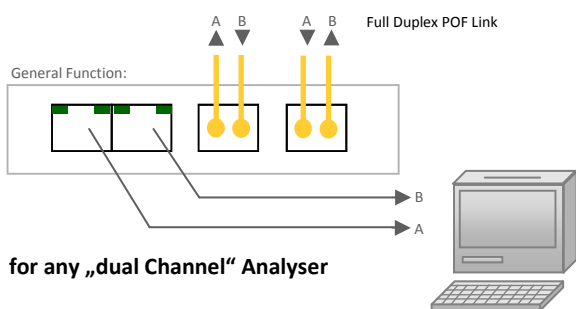


C1P-100 - the «classic» for Dual Channel Monitoring



- Non intrusive In-Line Monitoring
- Permanent Network Link guaranteed
- Bypass on power failure, no Packet Loss
- Fully 802.3af & VoIP compliant
- Works at 100mtrs distance
- Galvanic separation for maximum protection
- Redundant power option (optional)
- In- & Out & Monitor-ports at frontside

C1PP-100 - Polymer (Plastic) Optical Fiber TAP



- Non intrusive In-Line Monitoring of POF via RJ45 based 10/100 Sniffers
- No Package Loss
- In & Out Ports & all Monitorports at frontside
- No Latency for Real Time Applications



All Field Service Tools come in compact soft package to be carried around safe and secure. The provided accessoires can be stored in same pouche to keep all you need together in one place.



Dipl. Ing. Christoph Gudenus
Messtechnik in Netzwerken

RotenmuehlGasse 40/5 | 1120 Wien | AUSTRIA

Tel: +43 1 812 34 20 | Fax: +43 1 812 31 55

E-Mail: office@gudenus.at | Web: www.gudenus.at